



SURF TEST STAND

STS-1 SURF TEST STAND 1810

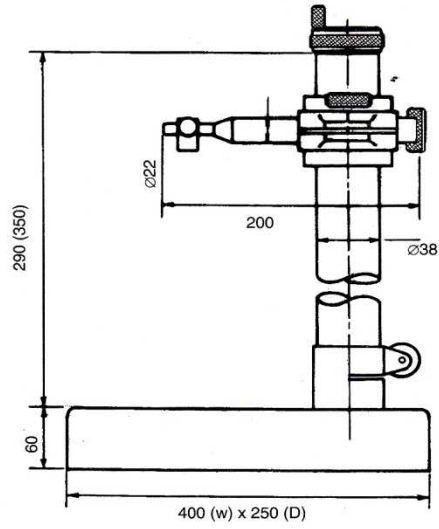
- * Most ideal and economical stand for checking surface finish.
- * Top end of the vertical column is provided with fine adjusting knob to facilitate easy height positioning.
- * Base made from precisely lapped Black Granite Stone.
- * Base Size : 400 x 250mm
- * Vertical Column Height : 220mm
- * Vertical Column Diameter : 38mm
- * Mass kg : 22kg

STS - 1



1810
Surf Test Stand

DIMENSIONS :



1810