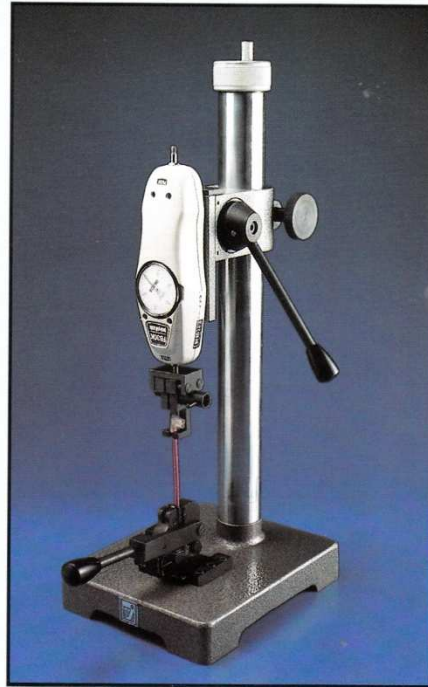




PUSH PULL GAUGE STAND

PGS-1



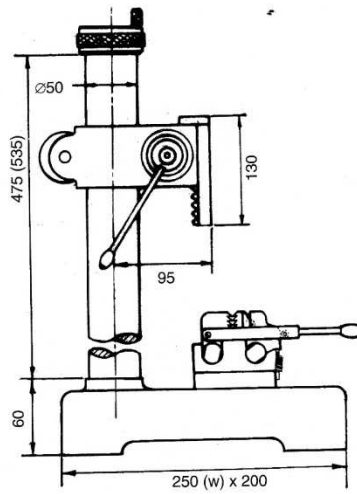
1710

Push Pull Gauge Stand

PGS-1
PUSH PULL GAUGE STAND
1710

- * Ideal Test Stand for force gauge.
- * Loading lever can be set in any position by nine degree increments for ease of operation.
- * Precisely machined rack and pinion and dovetailed slide assure smooth and precise motion.
- * Can mount force measuring gauge or torque measuring gauge.
- * Gripping fixtures on request to suit the application.
- * Wire terminal grip.
- * Daul - roller self tightening grip.
- * Grips and Gauges not included.
- * Mass kg : 17

DIMENSIONS :



1710