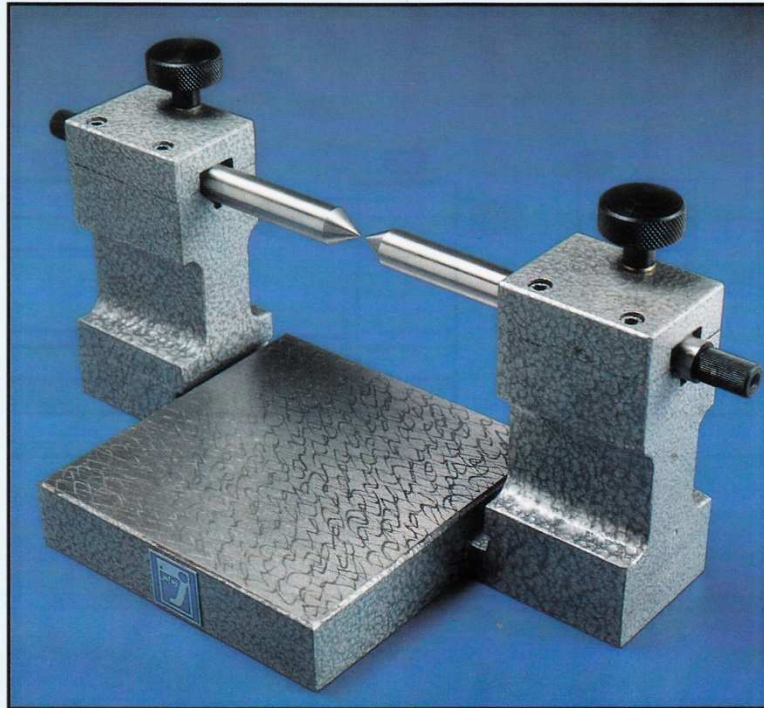




MINI BENCH CENTRE

MBC-1



2010
Mini Bench Centre

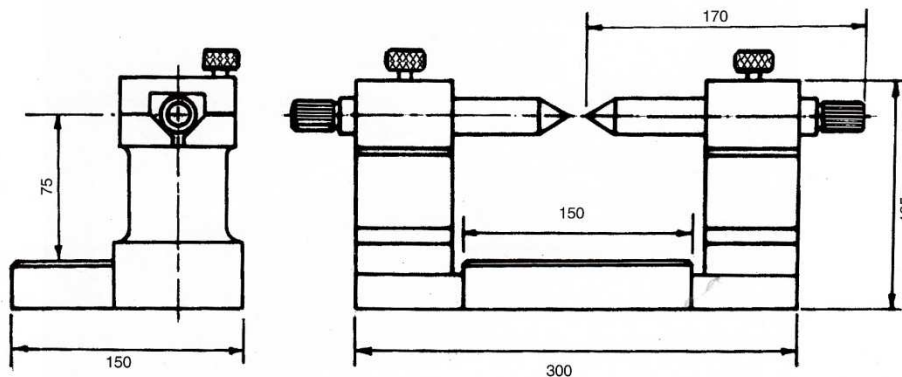
MBC-1
2010

Mini Bench Centre

The ideal centres for checking small components such as pinions, shafts gear blanks etc., to the highest degree of precision. Centres are reversible to provide either male or female centres or a combination of both thus giving great versatility. The elimination of springs avoids the bowing or centre damage of delicate or miniature components.

CODE NO.	ADMIT BETWEEN CENTRE	HEIGHT OF CENTRE	WORKING SURFACE	MASS Kg	REMARKS
2010	150mm	75mm	150X150mm	10	

DIMENSIONS :



2010