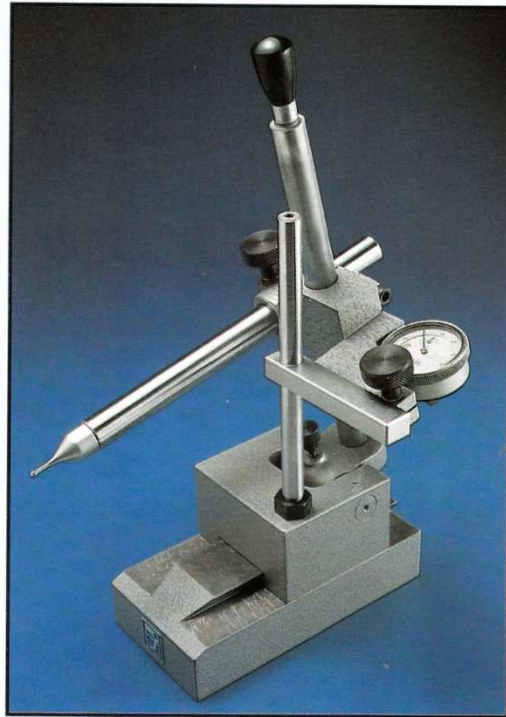




## GEAR TEST ATTACHMENT

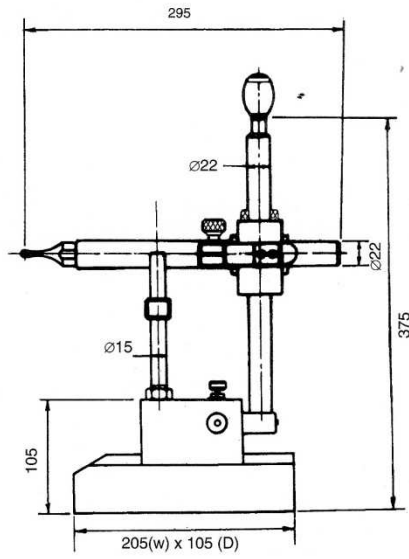


**3000**  
*Gear Test Attachment*

### **GEAR TEST ATTACHMENT 3000**

- \* Ideal & Economical Geartest attachment for checking of gear pitch diameters.
- \* Designed for easy mounting with bench centre.  
Mass Kg : 12 kg  
Ball points, Dial Gauge not included

**DIMENSIONS :**



**3000**