



## DIAL GAUGE STANDS

DGS - 8



**1080**  
*Mykrokator Stand (CEJ Type)*

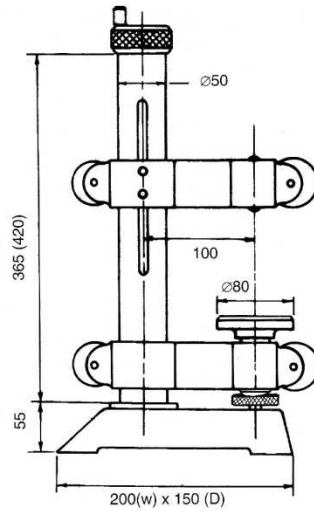
**DGS - 8**  
**1080**

### **Mykrokator Stand (CEJ Type)**

- \* Ideally best suitable and Sturdy Stand for Precision Mykrokator Indicator.
- \* Anvil is provided with Fine Adjustment Knurled Thumb Nut from Bottom.
- \* Dial Indicator bracket is provided with Easy Fine Adjustment from the top of upright post.

CODE NO.	CLAMPING STEM DIAMETER	MAXI WORKING HEIGHT	FINE ADJUSTING RANGE	MASS Kg	REMARKS
1080	28mm/8mm	180mm	10mm	11	

**DIMENSIONS :**



**1080**